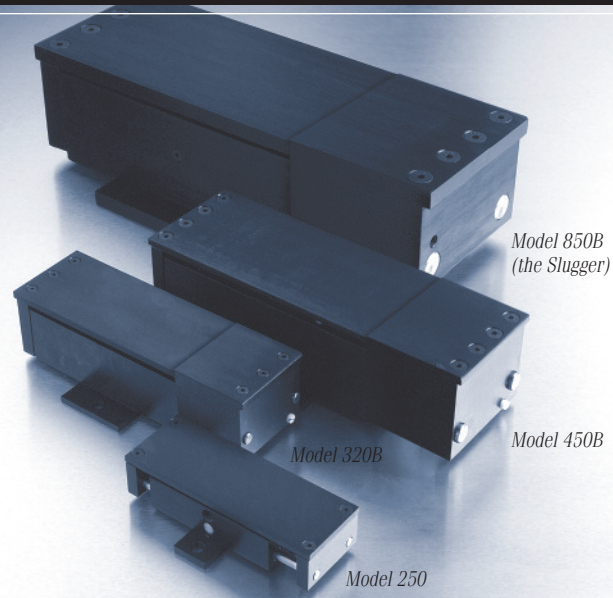


All New



Model 850B Oil-less Transporters



The Model 850B ("The SLUGGER") Air-Operated Transporter has been reengineered from our original Model 850 Transporter to provide five distinct user benefits. First, the Slugger 850B now offers oil-less operation (no lubrication required). It also has a smaller profile and is lighter in weight compared to previous models. Plus, it can now move a capacity of more than 600 lbs. (combined load and tray weight) with less air pressure consumption. This means multiple trays can be mounted to a single unit, replacing several belt conveyors.

The life expectancy of the Slugger 850B is now comparable to other Vibro transporter models. All models are warranted for two years and made entirely in the USA. After two years or as needed, they can be factory rebuilt and warranted again for two more years.



See back side for detail dimensional drawing

The Model 850B: What's New?

- Stainless Steel Bore Liner
- Self-Contained, Self-Cleaning Wiper Mechanism (keep rails clean)
- Totally Enclosed to Protect Mechanical Components from Harsh Environments

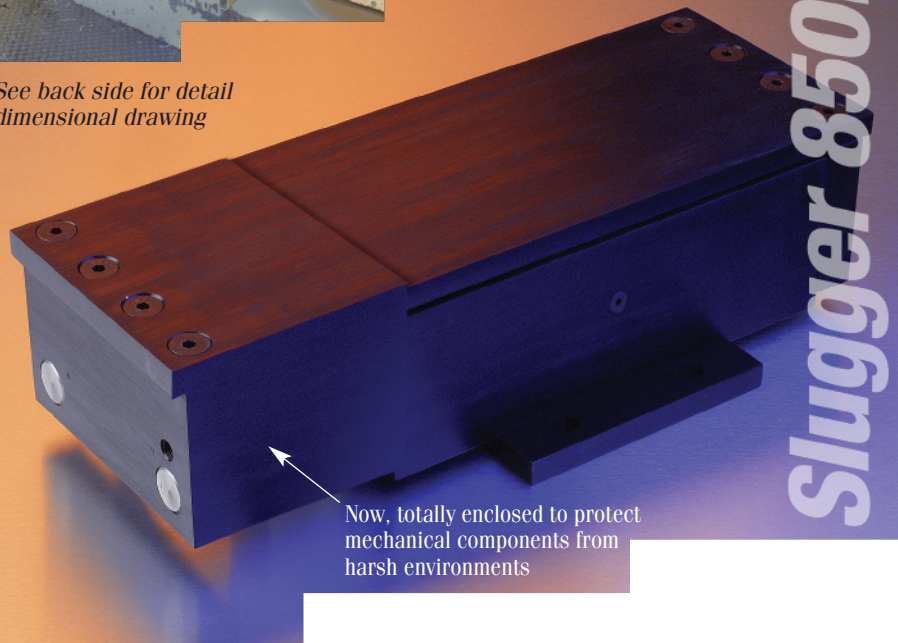
Standard Features Include:

- 100% Air Operated (no springs)
- Longer-Lasting Bearings
- Two Year Warranty
- 100% American Made
- Variable Speed (15-40 ft./min.)
- Low 3.4 CFM Air Consumption*
- Includes Air Regulator and Filter
- Stainless Steel Sleeved for Longer Life



Specifications Model 850B

Air Pressure Range	35 - 60
Air Consumption	3.4 CFM @ 40 PSI*
Feed Rate (ft./min.)	15 - 40 (4.5 m-40)
Sound Level (db-A)	68
Maximum Load	500+ lbs. (267+ kg)
Max. Tray Weight	100 lbs. (45 kg)
Transporter Weight	47 lbs. (21 kg)



Now, totally enclosed to protect mechanical components from harsh environments



P.O. Box 209, Port Royal, PA 17082
 Tel: 717.527.2094 Fax: 717.527.2180
 Email: info@vibroindustries.com
 Web: www.vibroindustries.com

Global Distribution



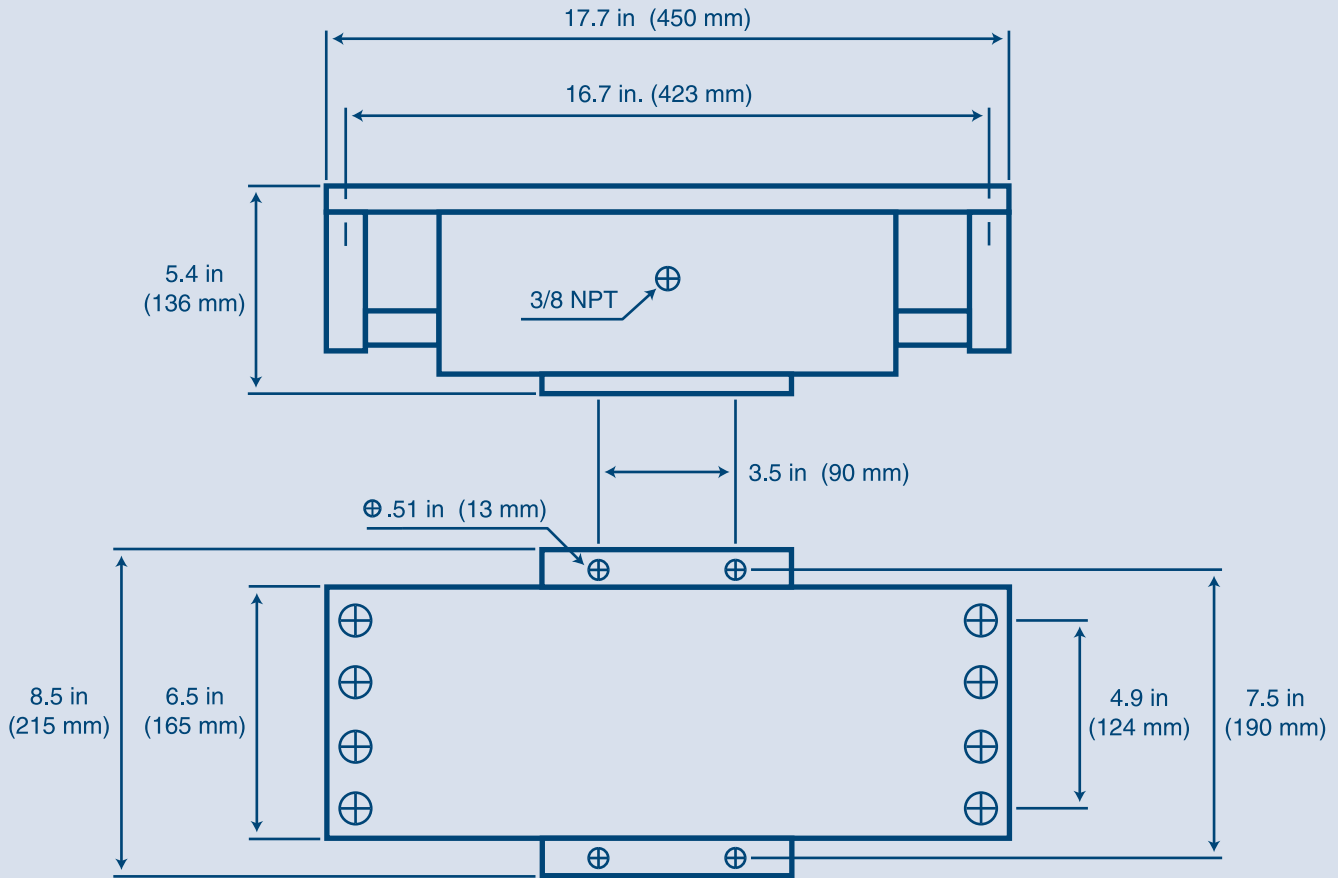
* Certification testing was performed by an independent testing lab with equipment that complies with ASME Std. MFC-18M (2001)



Model 850B Oil-less Transporters



100% OIL-LESS OPERATION
[No Lubrication Required]



P.O. Box 209, Port Royal, PA 17082
Tel: 717.527.2094 Fax: 717.527.2180
Email: info@vibroindustries.com
Web: www.vibroindustries.com

